



SPECIAL FEATURES

ALL 316 STAINLESS STEEL
QUICK CONNECT AND DISCONNECT
MATCHING DIN, SMS, RJT STANDARDS

APPLICATIONS

DIAPHRAGM SEALS ARE PROVIDED IN THE INSTRUMENTS LIKE PRESSURE GAUGES, SWITCHES, TRANSMITTERS IN ORDER TO ISOLATE THE SENSING ELEMENT FROM THE MAIN SERVICE DUE TO ITS CORROSIVE, VISCOUS AND SEDIMENTED NATURE AND TO AVOID CLOGGING AND SOLIDIFICATION. THESE SEALS ARE SPECIALLY DESIGNED FOR APPLICATIONS WHERE HIGH PURITY IN THE PROCESS IS ESSENTIAL.- TYPICALLY IN FOOD, BEVERAGES, DAIRY AND PHARMACEUTICAL INDUSTRIES.

STANDARD VERSION

(COMPATIBLE MODELS : 01-04 (NS 50 & 63 mm) 01-12 (NS 100 & 150 mm) 01-09 & 02-05

Range	Refer range table with nominal sizes
Process temperature	-20°C to 140°C or as per fill fluid
Instrument connection	½" NPT (F)
Process connection	As per DIN 11851, SMS, RJT, IDF
Mounting	Direct (Without capillary)

Diaphragm	AISI 316L SS
Unit Nut	AISI 316 SS
Body	AISI 316 SS
Fill fluid	Food grade oil

DIN 11851

DN	M	F(DIN 405)
25	20.5	Rd 52 x 1/6
32	29	Rd 58 x 1/6
40	36	Rd 65 x 1/6
50	50	Rd 78 x 1/6

SMS

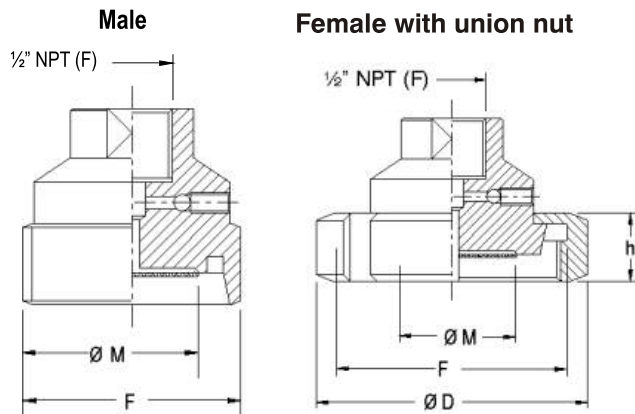
DN	M	F(DIN 405)
1"	20.5	Rd 40 x 1/6
1 1/2"	29	Rd 60 x 1/6
2"	36	Rd 70 x 1/6

RJT

DN	M	F (Withworth)
1 1/2"	29	2 5/16" x 8
2"	36	2 7/8" x 6

IDF/ISS

DN	M	F(ACME)
1"	20.5	1 1/2" x 8
1 1/2"	29	2 1/32" x 8
2"	36	2 9/16" x 8



DIN 11851

DN	h	D	M	F(DIN 405)
25	21	63	20.5	Rd 52 x 1/6
32	21	70	29	Rd 58 x 1/6
40	21	78	36	Rd 65 x 1/6
50	22	92	50	Rd 78 x 1/6

SMS

DN	h	D	M	F(DIN 405)
1"	19	51	20.5	Rd 40 x 1/6
1 1/2"	25	74	29	Rd 60 x 1/6
2"	26	84	36	Rd 70 x 1/6

RJT

DN	h	D	M	F (Withworth)
1 1/2"	22	Hex. 65	29	2 5/16" x 8
2"	22	Hex. 79	36	2 7/8" x 6

IDF/ISS

DN	h	D	M	F(ACME)
1"	30	48	20.5	1 1/2" x 8
1 1/2"	30	64	29	2 1/32" x 8
2"	30	77	36	2 9/16" x 8

Notes : • Drawings are not to scale. • All Dimensions are in mm.

HOW TO ORDER

BASIC MODEL

Example

CODE

D-04

OPTIONAL EXTRAS

FLOATING RING (FEMALE): SIZE & TYPE [* Instrument Connection 1/4" NPT (F)]

KH (25*, 32, 40, 50 mm)	DIN	KJ (1½", 2")	RJT
KI (1", 1½", 2")	SMS	KK (1, 1½", 2")	IDF / ISS

XX (1 ½)

PROCESS CONNECTION

M MALE **F** FEMALE

X

INSTRUMENT CONNECTION

VN 1/4" BSP (F)	VO 1/4" NPT (F)
VL 1/2" BSP (F)	VM 1/2" NPT (F) (Standard)

XX

DIAPHRAGM

UJ AISI 316L SS (Standard)

XX

FILLING FLUIDS

UV FOOD GRADE OIL [-20 TO 140°C / -4 TO 284°F] (Standard)

XX

BODY

CL AISI 316 SS (Standard) **CM** AISI 316L SS

XX

BOTTOM MATING PART [* Instrument Connection 1/4" BSP (F)]

KL (25*, 32, 40, 50mm)	DIN	KN (1½", 2")	RJT
KM (1", 1½", 2")	SMS	KO (1", 1½", 2")	IDF / ISS

XX (1½")

REMOTE MOUNTING (With capillary of Max. Up to 2 Mtrs.)

SPECIFY IN METERS (e.g. 1.5 = 1.5 METERS 2.0 = 2 METERS)

1Mtr.

CAPILLARY

PE AISI 304 SS **PG** AISI 316 SS

XX

CAPILLARY COVERED WITH ARMOUR (Applicable with PE or PG if selected)

PF AISI 304 SS **PH** AISI 316 SS **PI** PVC

XX

OTHER OPTIONS

TB HELIUM LEAK TEST **TC** DRY SEAL ONLY WITHOUT INSTRUMENT **GH** MATERIAL TEST CERTIFICATES*

XX

* MATERIAL TEST CERTIFICATES WILL BE PROVIDED FOR WETTED PARTS ONLY WITH CHEMICAL COMPOSITION TESTING. FOR OTHERS, PLEASE CONSULT FACTORY.

Ordering Example: D-04- XX(1 ½") - X - XX - XX - XX - XX - XX(1 ½") - 1Mtr. - XX - XX - XX
 FOR OTHER OPTIONAL ITEMS, PLEASE CONTACT FACTORY FOR DELIVERY AND MINIMUM QUANTITY OF ORDER.